

# CLARKE®

## WOODWORKER



## BENCHTOP SHAPER/ROUTER

MODEL NO: CBTSR2

PART NO: 6462091

## OPERATION & MAINTENANCE INSTRUCTIONS

UK  
CA | CE



**ORIGINAL INSTRUCTIONS**

GC09/23

---

## INTRODUCTION

---

Thank you for selecting this Clarke product.

The machine is ideal for shaping wood and plastic and also for cutting out knots, cutting grooves, removing recesses, copying curves and logos, etc. The machine must not be used on metal, stone, etc.

Please note that setting up and adjustment of this product ideally requires some experience of working with this type of equipment.

**Save these instructions including all safety warnings and instructions for future reference.**

---

## SPECIFICATIONS

---

Feature	Specification
Operating Voltage and Frequency	230V ~ @ 50 Hz
Rated Input Wattage:	1500W
Table Size (with extension) L x W (mm)	1030 x 360 mm
Speeds	11500 rpm to 24000 rpm
Ingress protection rating	IP20
Spindle height adjustment	0 - 40 mm
Shank size	6/8/12mm
Max Dimension of workpiece (L x W x H)	650 x 160 x 65 mm
Table Insert Sizes	32/47/55 mm
Dust Extract Adaptor Diameter	Outer Dia: 100 mm Inner Dia: 93 mm
Sound Pressure	89 dB (A)
Sound Power Guaranteed LWa	102 dB
Product Weight (Unpacked):	20.9 kg

---

# GENERAL POWER TOOL SAFETY WARNINGS

---



**WARNING: READ ALL SAFETY WARNINGS AND ALL INSTRUCTIONS. FAILURE TO FOLLOW THE WARNINGS AND INSTRUCTIONS MAY RESULT IN ELECTRIC SHOCK, FIRE AND/OR SERIOUS INJURY.**

---

1. Keep the work area tidy.
  - Clutter in the work area can lead to accidents.
2. Take environmental influences into account.
  - DO NOT expose power tools to rain.
  - DO NOT use power tools in a damp or wet environment.
  - Make sure that the work area is well lit.
  - DO NOT use power tools where there is a risk of fire or explosion.
3. Protect yourself from electric shock.
4. Keep other persons away.
  - DO NOT let persons, especially children, not involved in the work touch the machine and keep them away from the work area.
5. Securely store unused power tools.
  - Unused power tools should be stored in a dry, elevated or enclosed location out of the reach of children.
6. DO NOT overload your power tool.
  - They work better and more safely in the specified output range.
7. Use the correct power tool for the task.
  - DO NOT use low-output power tools for heavy work.
  - DO NOT use the power tool for purposes for which it is not intended.
8. Wear suitable clothing.
  - DO NOT wear loose clothing or jewelry, which can become entangled in moving parts.
  - When working outdoors, anti-slip footwear is recommended.
  - Tie back and restrain long hair.
9. Use protective equipment.
  - Wear protective eye wear.
  - Wear a dusk mask when carrying out dust-creating work.

10. Connect the dust extract if you will be processing wood, materials similar to wood or plastics.

- If connections for dust extraction and a collecting device are present, make sure that they are connected and used properly.
- When processing wood materials and plastics, operation in enclosed spaces is only permitted with the use of a suitable extraction system.

11. DO NOT use the power cable for purposes for which it is not intended.

- DO NOT use the power cable to pull the plug out of the socket. Protect the cable from heat, oil and sharp edges.

12. Secure the workpiece.

- Use clamping devices to hold the workpiece in place as it is held more securely than with your hand.
- An additional support is necessary for long workpieces (table, trestle, etc.) in order to prevent the machine from tipping over (if not bolted down).
- Always press the workpiece firmly against the working plate and fence in order to prevent bouncing and twisting of the workpiece.

13. Avoid abnormal posture.

- Make sure that you have secure footing and always maintain your balance.
- Avoid awkward hand positions in which a sudden slip could cause one or both hands to come into contact with the cutter bit.

14. Take care of your tools.

- Keep cutting tools sharp and clean in order to be able to work better and more safely.
- Check the power cable of the power tool regularly and have it replaced by a recognised specialist if damaged.
- Check extension cables regularly and replace them if damaged.
- NEVER remove loose splinters, chips or jammed wood pieces from the cutter bit until it has stopped.
- If the cutter bit is blocked due to abnormal feed force during cutting, turn the machine off and remove the work piece. Ensure that the cutter bit runs freely. Turn the machine back on and start a new cutting operation with less feed force.

15. Before switching on, make sure that any adjusting tools are removed.

16. Avoid inadvertent starting.

- Make sure that the machine is switched off when inserting the plug into a power outlet.

17. Stay alert.

- Pay attention to what you are doing. DO NOT use the power tool when you are distracted, tired, or under the influence of drugs or alcohol.

18. Check the power tool for potential damage.

- Protective devices and other parts must be carefully inspected to ensure that they are fault free and function as intended prior to continued use of the power tool.
- Check whether the moving parts function faultlessly and do not jam or if parts are damaged. All parts must be correctly mounted and all conditions must be fulfilled to ensure fault free operation of the machine.
- Damaged protective devices and parts must be properly repaired or replaced.
- DO NOT use faulty or damaged connecting cables.
- DO NOT use a power tool if the switch cannot be switched on and off.

19. The use of other accessories than recommended items can have a risk of injury.

20. Have your power tool repaired by a qualified electrician.

- This power tool conforms to the applicable safety regulations. Repairs may only be performed by an electrician using original spare parts or accidents could occur.

21. The operator must always stand in front of the machine while working.

## **ADDITIONAL SAFETY INSTRUCTIONS FOR ROUTERS**

1. Check that cutting bits are in perfect condition before use.
2. Use table insert rings appropriate for the size of the cutting bits.
3. ALWAYS wear suitable personal protective equipment including:
  - Hearing protection to avoid the risk of becoming hearing impaired.
  - Respiratory protection to avoid the risk of inhaling harmful dust.
  - Safety goggles to avoid eye injuries due to flying particles.
4. Beware of injury when handling bits and materials with sharp edges.
5. When working with wood, beware of conditions that cause the release of dust, e.g. the type of material to be processed and the correct setting of the hood/guide plates/guides.
6. Support long workpieces sufficiently to hold their position.






7. Take care of possible rebound due to any guide for a small workpiece being unsuitable.
8. Use additional equipment when processing narrow workpieces.
9. Tools that have not been maintained can trigger uncontrollable situations. Only use sharp, well maintained cutting bits.
10. Before changing cutting bits or making adjustments, switch off the machine.
11. Select a rotational speed that is suitable for the cutting bit and work material used.

## RESIDUAL RISKS

The machine is built according to current and recognized safety regulations. Nevertheless residual risks can occur during work.

- Danger of injury to fingers and hands by the tool due to inappropriate guidance of the work piece.
- Injuries caused by a work piece flying off due to lack of restraint or guidance.
- Health hazards due to wood dust or wood chips. Wear personal protection equipment such as eye protection. Use a ventilation system.
- Injuries by defective tools. Examine the tool regularly for soundness.
- Danger of injury to fingers and hands during tool changes. Wear suitable working gloves.
- Danger of injury when switching on the machine.
- Hazards due to current by use of incorrect electrical connecting cables.
- Residual risks can be minimized if the safety instructions and operating instructions are followed in full.

## SAFETY SYMBOLS ON THE MACHINE OR PACKAGING

	Read instruction manual before use		Wear ear defenders
	Wear safety glasses		Wear a breathing mask.
	Wear protective gloves		

## ELECTRICAL CONNECTIONS



**WARNING! READ THESE ELECTRICAL SAFETY INSTRUCTIONS FULLY BEFORE CONNECTING THE MACHINE TO THE MAINS SUPPLY.**

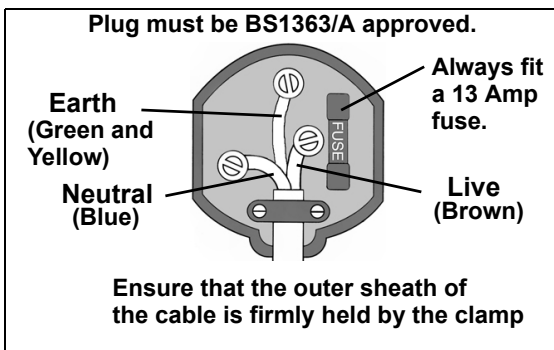
This machine is provided with a standard 13 amp, 230 volt (50Hz), BS 1363 plug, for connection to a standard, domestic electrical supply. Should the plug need changing, make sure that a plug of identical specification is used.



**WARNING! THE WIRES IN THE POWER CABLE OF THIS PRODUCT ARE COLOURED IN ACCORDANCE WITH THE FOLLOWING CODE: BLUE = NEUTRAL BROWN = LIVE YELLOW AND GREEN = EARTH**

If the colours of the wires in the power cable do not agree with the markings on the plug:

- Connect the **blue** wire to the terminal which is marked **N**.
- Connect the **brown** wire to the terminal which is marked **L**.
- Connect the **yellow and green** wire to the terminal which is marked **E** or



**We strongly recommend that this machine is connected to the mains supply through a Residual Current Device (RCD)**

If you are not sure, consult a qualified electrician. **DO NOT** try to do any repairs.

### CABLE EXTENSIONS

Always use an approved cable extension suitable for the power rating of this machine. The conductor size should also be at least the same size as that on the machine, or larger.

---

# INVENTORY

---

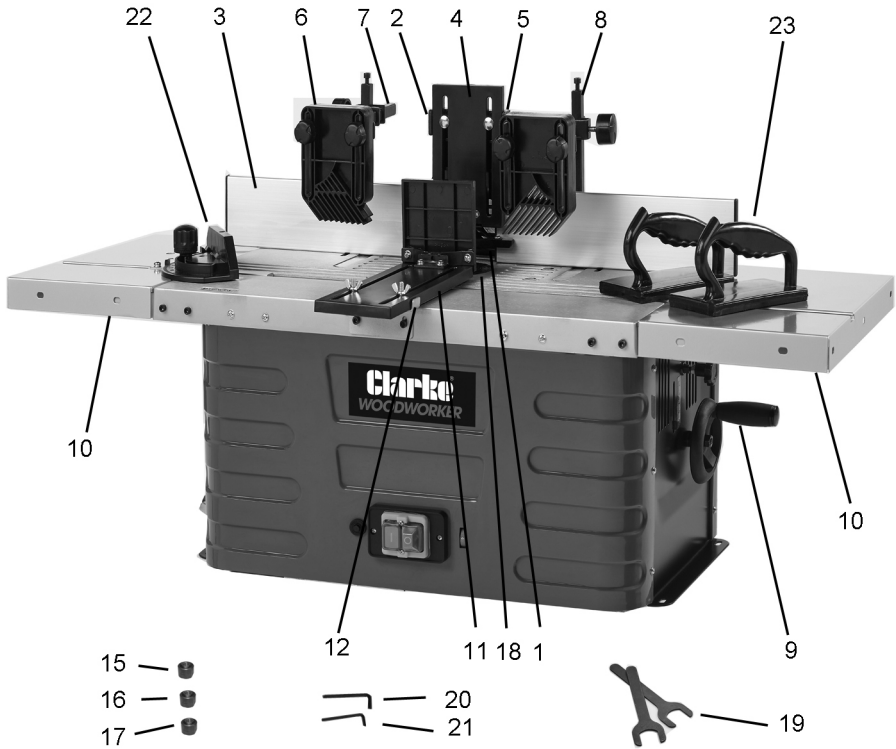
**The following items are supplied for fitting/assembly.**

1. Fence (52)
2. Sliding Bracket (64)
3. Fence Plate (66)
4. Downwards Pressure Bar (63)
5. Mounting Bracket for the above (56)
6. 2Pressure Pads (68)
7. Square Mounting Plates (61)
8. Square Supports (60)
9. Elevating Handle (31)
10. Table Extensions (41 & 71)
11. Kickback Safety Fence (103)
12. Mounting Bracket for the above (104)
13. Dust Extractor Adaptor (53) - (not shown)
14. Transparent Tool Guard (50) - (not shown)
15. 6mm Collet (78)
16. 8mm Collet (77)
17. 12 mm Collet
18. Table Insert Rings (49)
19. Spanners (73)
20. 3mm Hex Key (74)
21. 4mm Hex Key (75)
22. Mitre Fence (99)
23. Push Blocks (72)
24. Fixings Packs

**Numbers in brackets refer to pages 26-29.**



# COMPONENT INVENTORY



# ASSEMBLY

## MOUNTING THE MACHINE

It is recommended to fix the machine to a workbench using the four holes provided.

- Holes must be drilled in the workbench which align with those on the machine base.
- Each corner must be secured to the workbench using nuts and bolts long enough to go through the workbench (not supplied).
- The workbench must be large enough to prevent tilting of the machine when working.

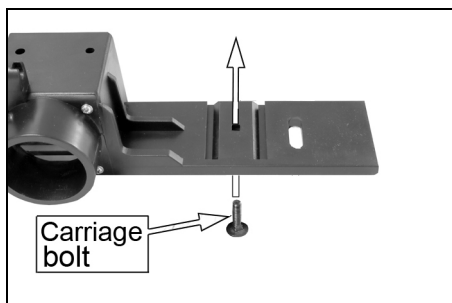
## ASSEMBLING THE FENCE

Before starting work the fence must be assembled and fitted to the work table.

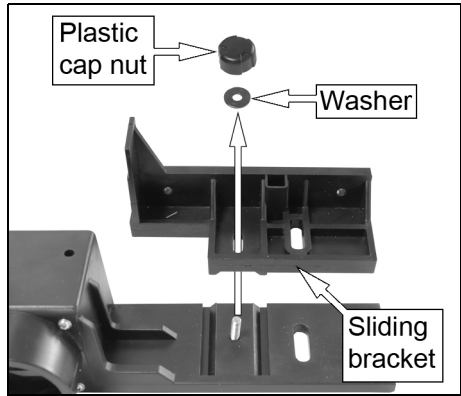
## FITTING THE SLIDING BRACKET TO THE FENCE

Parts needed for this step		
1 x	Sliding bracket	
1 x	Carriage bolt	M6 x 25
1 x	Plastic cap nut	M6
1 x	Washer	6mm

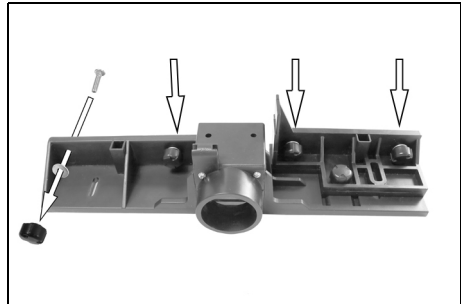
1. Insert the carriage bolt into the fence from below as shown.



- Drop the sliding bracket over the bolt so that it sits in the grooves on the fence.
- Secure in place using the washer and plastic cap nut.



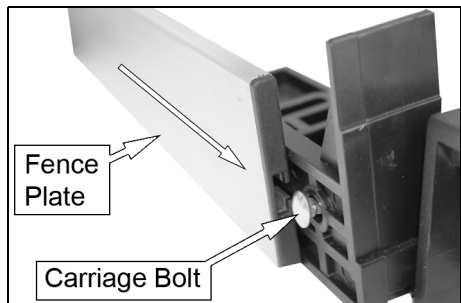
- Insert the 4 carriage bolts into the attachment holes and screw them on finger tight with a washer and a plastic cap nut.



## FITTING THE FENCE PLATES

Parts needed for this step		
4 x	Carriage bolt	M6 x 25
4 x	Plastic cap nut	M6
4 x	Washers	6mm
2 x	Fence plates	

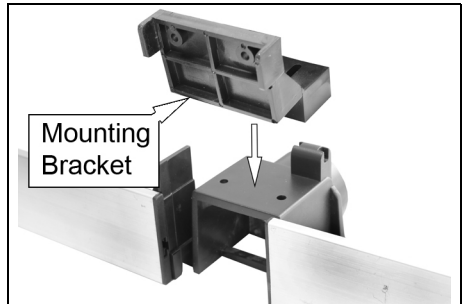
- Slide the fence plates over the carriage bolt heads.
  - Make sure that the fence plates are at the same height.
- Tighten the plastic cap nut to lock the fence plates in position.



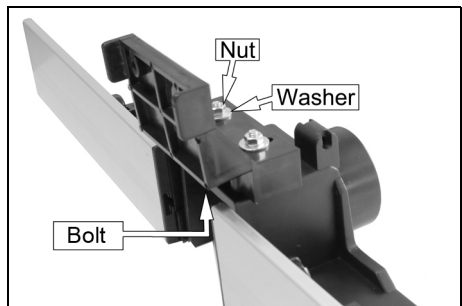
## FITTING THE DOWNWARD PRESSURE BAR

Parts needed for this step		
1 x	Mounting Bracket	
2 x	Bolt	M6 x 40
2 x	Nut	M6
4 x	Washers	6mm
1 x	Pressure Bar	
2 x	Carriage Bolts	M6 x 35
2 x	Wingnuts	M6

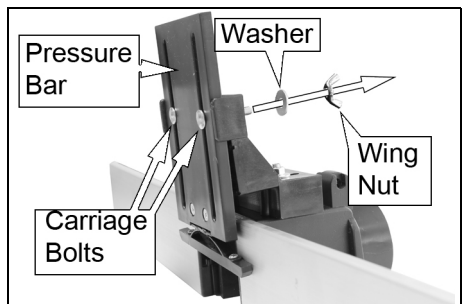
1. Fit the mounting bracket to the central part of the main fence as shown.



2. Secure in place using 2 x M6 x 40 bolts (from below), 2 washers and 2 x M6 nuts supplied.



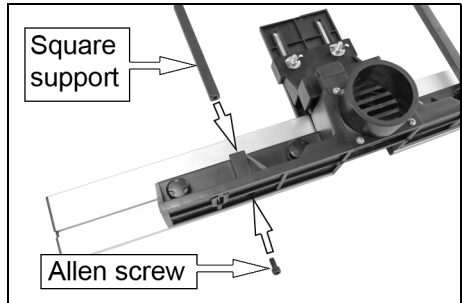
3. Position the pressure bar and lock in position using the 2 carriage bolts, 2 washers and 2 wing nuts provided.



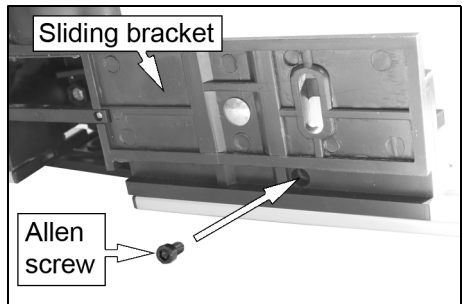
## FITTING THE PRESSURE PADS

Parts needed for this step		
2 x	Pressure pads	
2 x	Square mounting plate	
2 x	Square supports	
2 x	Clamp	
2 x	Allen screws	M6 x 12
2 x	Plastic cap screws	M6 x 20
4 x	Carriage bolts	M6 x 35
4 x	Plastic cap nuts	M6
4 x	Washers	6mm

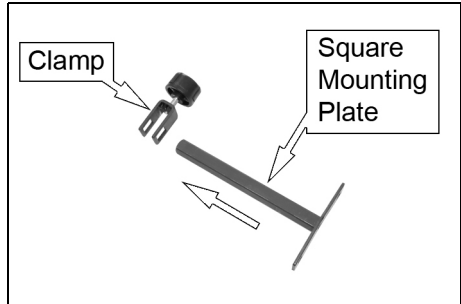
1. Insert the 2 square supports in the 2 square sockets on the main part of the fence.
2. Secure them with the 2 Allen screws from below.



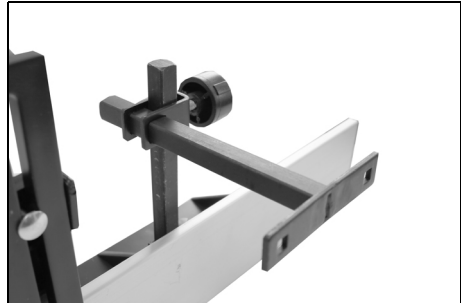
**NOTE:** You will need to slide the sliding bracket forward to gain access to one of the holes.



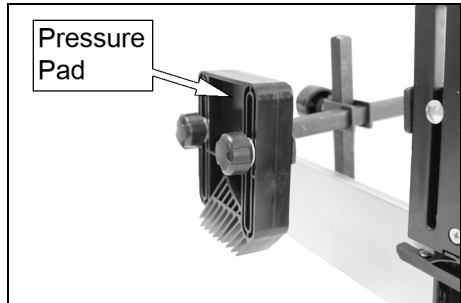
3. Slide the square mounting plate into the clamp as shown.



4. Slide the clamp over the square support as shown.
5. Secure in place by tightening the knob on the clamp.



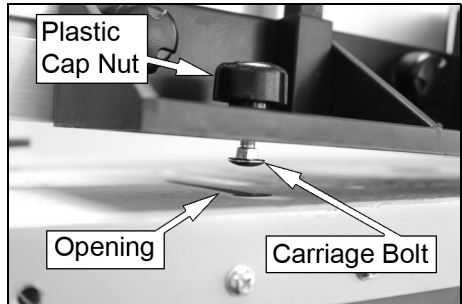
6. Fit the pressure pads to the square mounting plates using 4 carriage bolts, 4 washers and 4 plastic cap nuts.



## FITTING THE FENCE ONTO THE WORKING TABLE

Parts needed for this step		
1 x	Carriage bolt	M6 x 20
1 x	Carriage bolt	M6 x 40
2 x	Plastic cap nuts	M6
2 x	Washers	6mm

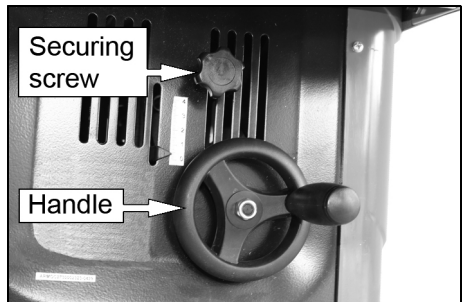
1. Fix the 2 plastic cap screws into the grooves in the fence using the washers and carriage bolts as shown.
  - The longer carriage bolt goes on the right, when viewing the fence from the rear.
2. Put the tops of the carriage bolts through the opening in the table.
3. Position the fence as required and tighten the plastic cap nuts.



## FITTING THE HANDLE

Parts needed for this step		
1 x	Handle	
1 x	Nut	M8

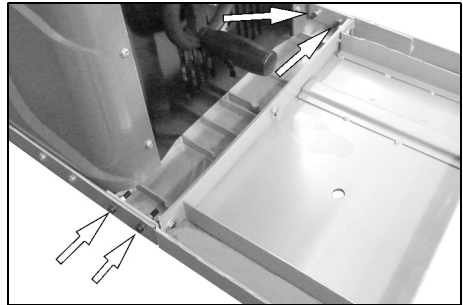
1. Slide the handle over the shaft making sure it engages with the pin.
2. Secure in place using the nut supplied.



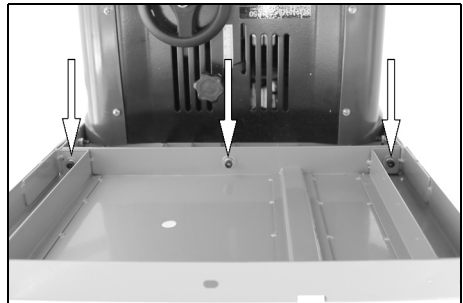
## FITTING THE TABLE EXTENSION

Parts needed for this step		
8 x	Allen screws	M5 x 20
6 x	Allen screws	M5 x 12
8 x	Small Washers	5mm
6 x	Large Washers	5mm
8 x	Hexagonal nuts	M5
14 x	Spring washers	5mm

1. Remove the fence and flip the unit upside down onto a smooth flat surface.
2. Attach the extension table to both sides with 4 allen screws M5 x 20, 4 washers, 4 spring washers and 4 hexagonal nuts M5.
  - Make sure that the channel on top of the extension table lines up with the main table.



3. Also secure using 3 allen screws (M5 x 12), 3 large washers and 3 spring washers each.
4. Align the table and tighten all screws.
5. Repeat for the other table extension.
6. Flip the unit the right way up again (with assistance if required) and replace the fence.

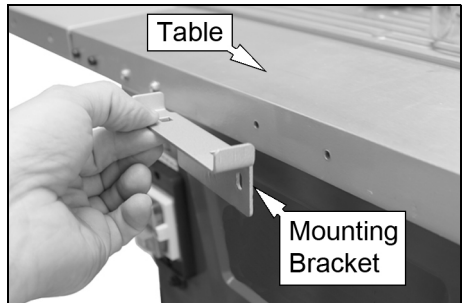




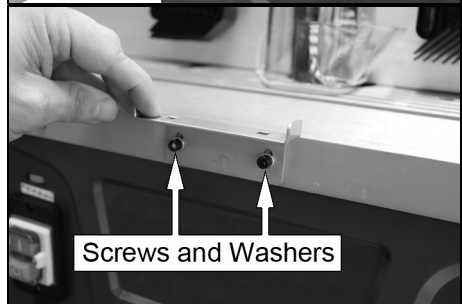
## FITTING THE KICKBACK SAFETY FENCE

Parts needed for this step		
1 x	Kickback safety fence	
1 x	Mounting bracket	
2 x	Recessed head screws	M5 x 10
2 x	Washers	5mm
2 x	Spring washers	5mm
2 x	Carriage bolts	M6 x 25
2 x	Washers	6mm
2 x	Wing nuts	M6

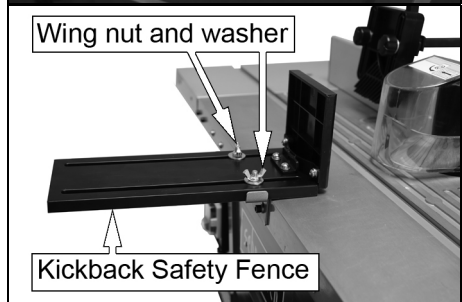
1. Align the mounting bracket with the two holes on the front of the table.



2. Insert the two recessed head screws, 2 x 5mm spring washers and 2 washers into the holes, and tighten.



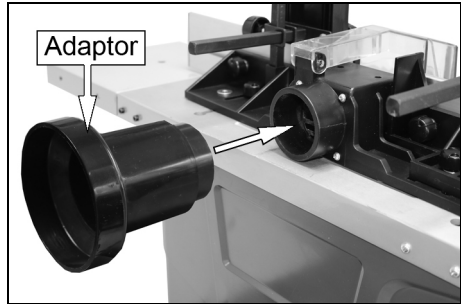
3. Install the kickback safety fence
  - You can adjust the fence to the thickness of the work piece.
4. After setting, fix it in place with the help of the two carriage bolts, 2 washers and 2 wing nuts.



## CONNECTING TO A DUST EXTRACTOR

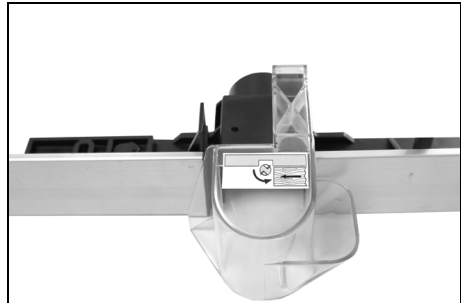
Slide the suction hose of the dust extractor unit onto the dust extraction port at the rear of the moulding fence.

- For hoses with a dia of 100 mm, using the adaptor supplied.

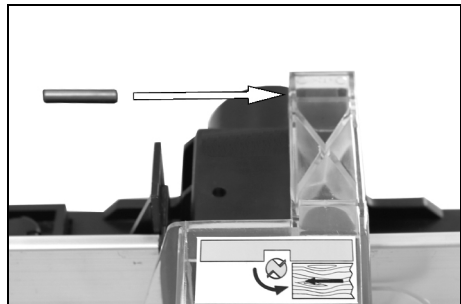


## FITTING THE TRANSPARENT TOOL GUARD

1. Remove downward pressure bar and bracket shown on page 12.
2. Place transparent tool guard in position as shown.



3. Insert pin to secure.
  - Check to see the guard functions correctly before use.



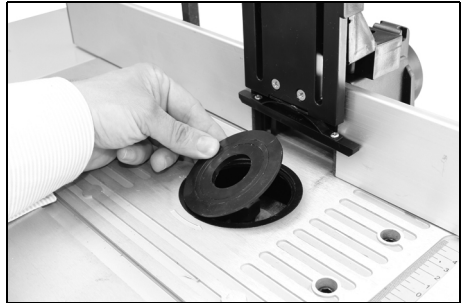
# BEFORE USE

## INSTALLING AND CHANGING THE COLLETS AND CUTTING BITS

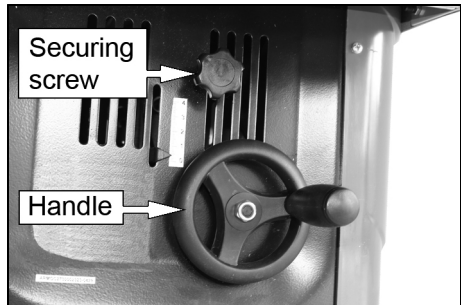


**WARNING: BEFORE CARRYING OUT ANY ADJUSTMENT OR MAINTENANCE, MAKE SURE THAT THE MACHINE IS DISCONNECTED FROM THE MAINS SUPPLY.**

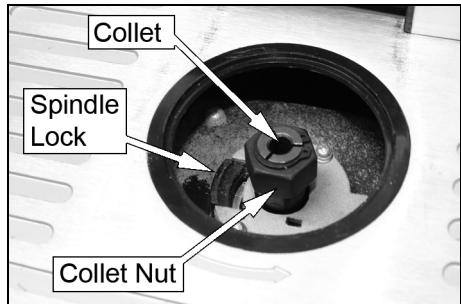
1. Remove the insert rings from the table.



2. Loosen the securing screw and use the handle to raise the spindle to its highest position.



3. Press and hold the Spindle Lock button.



4. Loosen the collet nut using the spanner provided and remove the cutting bit and collet nut if required.

5. Insert the required collet/collet nut and tighten it slightly.

6. Insert the bit into the collet.

- At least 3/4 of the cutting bit shank must be in the collet before tightening.

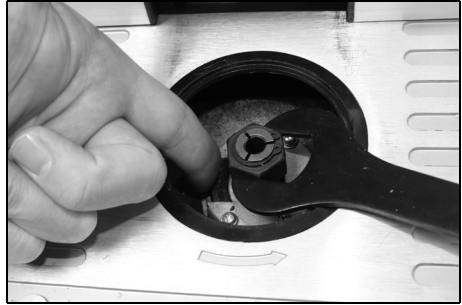
7. Press and hold the spindle lock button and tighten the collet nut securely.

- Before every use of the machine make sure that the cutting bit is firmly clamped to the end of the spindle.

8. Place the insert rings back in to their original position.

- The insert rings must be used in order to keep the spacing between table and cutter to a minimum. Only fit enough insert rings so as to allow the bit to come through the surface of the table without touching the rings.
- Before switching on check the insert rings are seated correctly.

9. Reconnect the machine to the power supply.



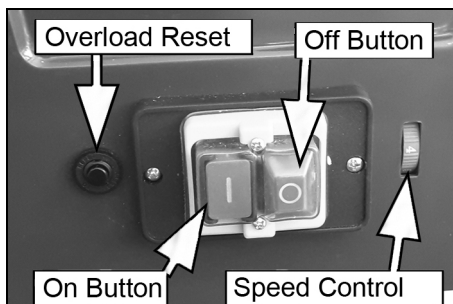
## ADJUSTMENTS

### SPEED CONTROL

The speed control has 6 speeds.

Determine the optimal setting by testing on a scrap piece of wood.

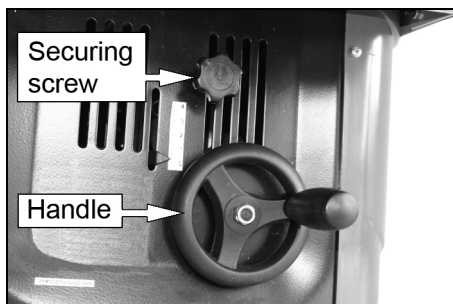
**NOTE:** The use of the correct setting will increase the life-span of the cutter. It, also affects the quality of the cut.



### RAISING/LOWERING THE CUTTER

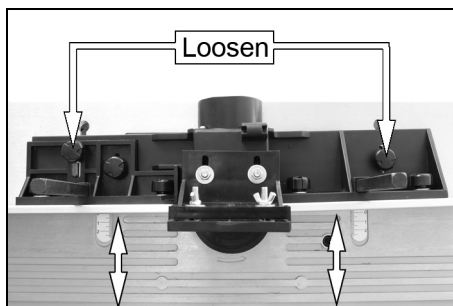
To raise or lower the spindle height.

1. Loosen the securing screw.
2. Use the handle to raise or lower the spindle to the required height.
3. Tighten the securing screw.



### ADJUSTING THE FENCE

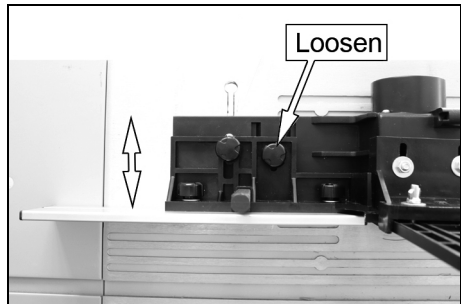
1. Loosen the plastic cap screws shown on the back of the fence.
2. Move the fence to the desired position.
3. Re-tighten the plastic cap screws to keep the fence in this position.



## OUTFEED FENCE OFFSET

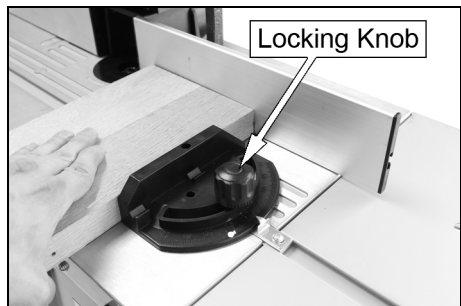
Once the workpiece passes the cutting bit it may be thinner than when it started. If so you should adjust the left fence to compensate for the missing material.

1. Loosen the plastic cap screws.
2. Move the left fence towards you slightly and tighten the plastic cap screws.



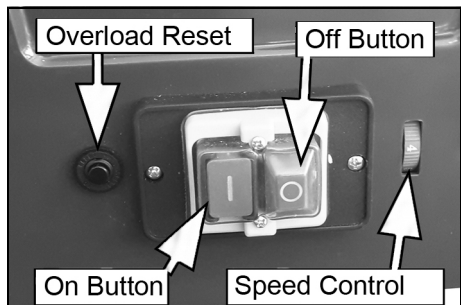
## ADJUST THE CROSS-CUTTING JIG

1. Loosen the locking knob.
  2. Set the jig to the desired angle.
  3. Tighten the locking knob.
- Always make a sample cut in a piece of waste material in order to guarantee the angles are correct.



## SWITCHING ON AND OFF

- Press the green ON (I) button to start the machine.
- Press the red OFF (O) button to stop the machine.



## USING THE MACHINE

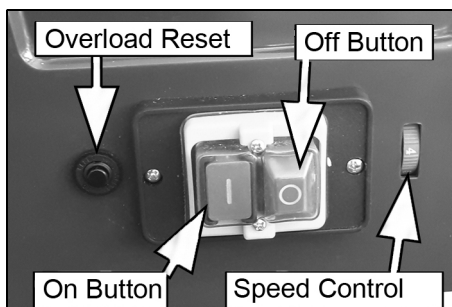
1. Insert an appropriate cutting bit.
2. Adjust the machine speed and adjust the fence so that the material is supported along its entire length.
3. Switch the machine on by pressing the green ON (I) button.
4. Make sure the workpiece is firmly pressed against the fence.
5. Push the work piece softly from right to left against the turning direction of the cutting bit.
  - Keep your speed constant. DO NOT push too fast as it would slow down the motor.
  - Feeding the work piece too fast will result in poor cutting quality. There is also the risk of damaging the cutting bit or the machine motor.
  - Feeding the work piece too slowly will result in burnt spots on the work piece.
  - The correct intake speed depends on the cutting bit size, the material type of the workpiece and the cutting depth. It is recommended to practice first with a piece of scrap wood in order to determine the correct speed.
6. With very hard wood and important cuts it may be better to work progressively, taking several shallow cuts until the desired depth is achieved.
7. Switch the machine off by pressing the red OFF (O) button.

### OVERLOAD SWITCH

The machine is fitted with an overload switch to protect the motor.

In the event of an overload situation, the machine will cut out automatically.

After a short time press the overload reset button to reset the machine.



---

# MAINTENANCE AND SERVICING

---



**WARNING: BEFORE CARRYING OUT MAINTENANCE, MAKE SURE THAT THE MACHINE IS DISCONNECTED FROM THE MAINS SUPPLY.**

---

## CLEANING

- Keep all safety devices, air vents and the motor housing free of dirt and dust. Wipe the equipment with a clean cloth or blow it with compressed air at low pressure (always wear PPE when using compressed air).
- We recommend that you clean the machine as soon as you have finished using it.
- DO NOT use cleaning agents or solvents as these could attack the plastic parts of the machine.
- Make sure that no water can enter the machine. The ingress of water into a power tool increases the risk of an electric shock.

## CUTTING BITS

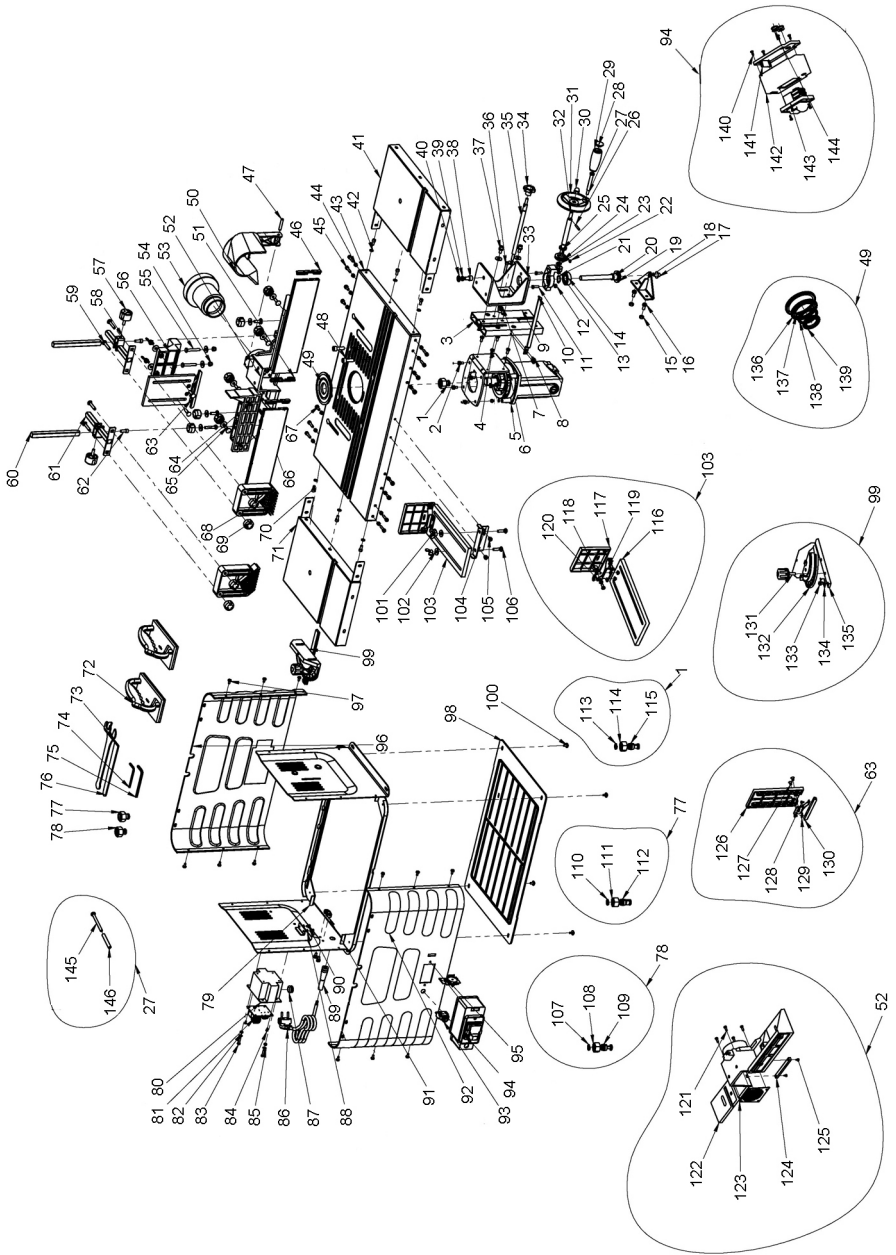
- Any resin must be cleaned off the cutting bits at regular intervals with an appropriate resin remover.

## STORAGE

- Store the machine and accessories out of children's reach in a dark, dry place at above freezing temperature. The ideal storage temperature is between 5 and 30°C.
- Ideally, store the machine in its original packaging.
- Cover the machine in order to protect it from dust and moisture.
- Store the operating manual with the machine.



# COMPONENT PARTS



## COMPONENT PARTS

No	Description
1	Chuck
2	X-Pan head screw & washer
3	Motor rise & fall guide bar
4	X-Pan head screw
5	Motor
6	Motor connecting plate
7	Slider
8	Hex socket cap screw
9	Guide profile
10	Pointer
11	Hex bolt
12	Hex nut
13	Bevel gear support
14	Deep groove ball bearing
15	Hex nut
16	Hex socket cap screw & washers
17	Hex socket cap screw & washers
18	Support assembly
19	Bevel gear
20	Vertical adjustment screw
21	Circlip
22	Flat key
23	Circlip
24	Vertical adjustment shaft gear
25	Vertical adjuster
26	Roll pin
27	Handle spindle
28	Handle cap
29	Handle
30	Dome nut

No	Description
31	Adjusting handle wheel
32	Rise and fall shaft
33	Motor mounting bracket
34	Locking knob
35	Locking rod
36	Hex socket cap screw
37	Hex socket cap screw
38	Hex socket cap screw
39	Spring washer
40	Flat washer
41	Work table side extension
42	Washer
43	Work table
44	M5 Locknut
45	Hex socket cap screw
46	End cap
47	Straight pin
48	Hex socket cap screw
49	Insert ring assembly
50	Plastic tool cover
51	Left end cap
52	Main fence
53	Dust extract adaptor
54	M6 Locknut
55	Hex bolt M6x40
56	Mounting bracket
57	Locking knob
58	Square mounting
59	Coachbolt M6x35
60	Square support post

61	T-bar
62	Hex socket cap screw M6x16
63	Pressure bar
64	Sliding cover bracket
65	Coachbolt M6x20
66	Fence Plate
67	X-Pan head screw M5x15
68	Pressure pad
69	Lock knob
70	Hex socket cap screw M5x12
71	Worktable side extension
72	Push blocks
73	Long wrench
74	Allen wrench S4
75	Allen wrench S5
76	Short wrench
77	Chuck 12mm
78	Chuck 6mm
79	Base assembly
80	Transformer box
81	Circuit board
82	Hex nut M4
83	X-Pan head screw
84	X-Pan head s/t screw
85	Washer
86	Power plug
87	Cable gland
88	Circlip
89	Power cable gland
90	X-Pan head screw/washer
91	Cable clamp
92	Front panel
93	Over-current protection
94	On/off switch

95	Circuit board
96	Rear panel
97	X-Pan head screw/washer
98	Base plate
99	Metre plate assembly
100	X-Pan head screw/washer
101	Butterfly nut
102	Washer A6
103	Safety fence assembly
104	Mounting bracket
105	X-Pan head screw/washer
106	Coachbolt M6x25
107	Chuck ring
108	Chuck nut
109	Collet
110	Chuck ring
111	Chuck nut
112	Collet
113	Chuck ring
114	Chuck nut
115	Collet
116	Long fence assembly 1
117	Long fence assembly
118	Pan head screw M5x12
119	Long fence connector
120	Washer
121	Screw M4x12
122	Fence
123	Grille
124	Dowel
125	S/t screw
126	Mounting plate
127	Countersunk screw
128	S/t screw

129	Plate connecting bracket
130	Connecting bar
131	Securing knob
132	Mitre base with scale
133	Screw
134	Washer
135	Slide arm
136	Table top cover plate C
137	Table top cover plate D

138	Table top cover plate B
139	Table top cover plate A
140	Self tapping screw
141	Switch box cover
142	Connecting box
143	Switch
144	Sheath
145	X-Pan head screw
146	Handle bush

---

## ENVIRONMENTAL PROTECTION

---



Through purchase of this tool, the customer is taking on the obligation to deal with the WEEE in accordance with the WEEE regulations in relation to the treatment, recycling & recovery and environmentally sound disposal of the WEEE.

In effect, this means that this tool must not be discarded with general waste. Refer to the laws governing Waste Electrical and Electronic Equipment (WEEE) at a recognised disposal facility.

---

## GUARANTEE

---

The machine is guaranteed against faulty manufacture for a period of 12 months from the date of purchase. Your receipt is required as proof of purchase.

This guarantee is invalid if the machine is found to have been abused, tampered with, or not used for the purpose for which it was intended.

Faulty goods must be returned to their place of purchase, it must not be returned to us without prior permission.

This guarantee does not effect your statutory rights.

# DECLARATION OF CONFORMITY - UK



**Clarke**<sup>®</sup>  
**INTERNATIONAL**

Hemnall Street, Epping, Essex, CM16 4LG

## DECLARATION OF CONFORMITY

**This is an important document and should be retained.**

**We hereby declare that this product(s) complies with the following legislation:**

*The Electromagnetic Compatibility Regulations 2016*

*The Supply of Machinery (Safety) Regulations 2008*

*The Restriction of the Use of Certain Hazardous Substances in Electrical and Electronic Equipment Regulations 2012*

**The following standards have been applied to the product(s):**

*EN IEC 55014-1:2021, EN IEC 55014-2:2021, EN 61029-1:2009+A11:2010, EN 61029-2-8:2010,*

*EN IEC 61000-3-2:2019+A1:2021, EN 61000-3-3:2013+A1:2019+A2:2021, IEC 62321-1:2013,*

*IEC 62321-2:2014, IEC 62321-3-1:2014, IEC 62321-4:2014+A1:2017, IEC 62321-5:2014,*

*IEC 62321-6:2015, IEC 62321-7-1:2015, IEC 62321-7-2:2017, IEC 62321-8:2017*

The technical documentation required to demonstrate that the product(s) meet(s) the requirement(s) of the aforementioned legislation has been compiled and is available for inspection by the relevant enforcement authorities.

**The UKCA mark was first applied in: 2023**

**Product Description:** Spindle Moulder  
**Model Number(s):** CBTSR2  
**Serial/Batch Number:** Refer to product/packaging label  
**Date of Issue:** 11/08/2023

**Signed:**

**J.A Clarke**

**Director**

# DECLARATION OF CONFORMITY - CE



**Clarke**<sup>®</sup>  
**INTERNATIONAL**

Fitzwilliam Hall, Fitzwilliam Place, Dublin 2

## DECLARATION OF CONFORMITY

**This is an important document and should be retained.**

**We hereby declare that this product(s) complies with the following legislation:**

2014/30/EU	<i>Electromagnetic Compatibility Directive</i>
2006/42/EC	<i>Machinery Directive</i>
2011/65/EU	<i>Restriction of Hazardous Substances (RoHS) Directive</i>

**The following standards have been applied to the product(s):**

EN IEC 55014-1:2021, EN IEC 55014-2:2021, EN 61029-1:2009+A11:2010, EN 61029-2-8:2010,  
EN IEC 61000-3-2:2019+A1:2021, EN 61000-3-3:2013+A1:2019+A2:2021, IEC 62321-1:2013,  
IEC 62321-2:2014, IEC 62321-3-1:2014, IEC 62321-4:2014+A1:2017, IEC 62321-5:2014,  
IEC 62321-6:2015, IEC 62321-7-1:2015, IEC 62321-7-2:2017, IEC 62321-8:2017

The technical documentation required to demonstrate that the product(s) meet(s) the requirement(s) of the aforementioned legislation has been compiled and is available for inspection by the relevant enforcement authorities.

**The CE mark was first applied in: 2023**

<b>Product Description:</b>	Spindle Moulder
<b>Model Number(s):</b>	CBTSR2
<b>Serial/Batch Number:</b>	Refer to product/packaging label
<b>Date of Issue:</b>	11/08/2023

**Signed:**

**J.A Clarke**

**Director**

# A SELECTION FROM THE VAST RANGE OF

# Clarke®

## QUALITY PRODUCTS



### AIR COMPRESSORS

From DIY to industrial, Plus air tools, spray guns and accessories.

### GENERATORS

Prime duty or emergency standby for business, home and leisure.

### POWER WASHERS

Hot and cold, electric and engine driven - we have what you need

### WELDERS

Mig, Arc, Tig and Spot. From DIY to auto/industrial.

### METALWORKING

Drills, grinders and saws for DIY and professional use.

### WOODWORKING

Saws, sanders, lathes, mortisers and dust extraction.

### HYDRAULICS

Cranes, body repair kits, transmission jacks for all types of workshop use.

### WATER PUMPS

Submersible, electric and engine driven for DIY, agriculture and industry.

### POWER TOOLS

Angle grinders, cordless drill sets, saws and sanders.

### STARTERS/CHARGERS

All sizes for car and commercial use.

## PARTS & SERVICE:

## 0208 988 7400

### Parts Enquiries

[Parts@clarkeinternational.com](mailto:Parts@clarkeinternational.com)

### Servicing & Technical Enquiries

[Service@clarkeinternational.com](mailto:Service@clarkeinternational.com)

SALES: UK 01992 565333 or Export 00 44 (0)1992 565335

**Clarke** INTERNATIONAL Hemnall Street, Epping, Essex CM16 4LG  
[www.clarkeinternational.com](http://www.clarkeinternational.com)